

VistaGlow

The Urban Style Bulkhead

Sisesh Behuray & Nitin Bahl

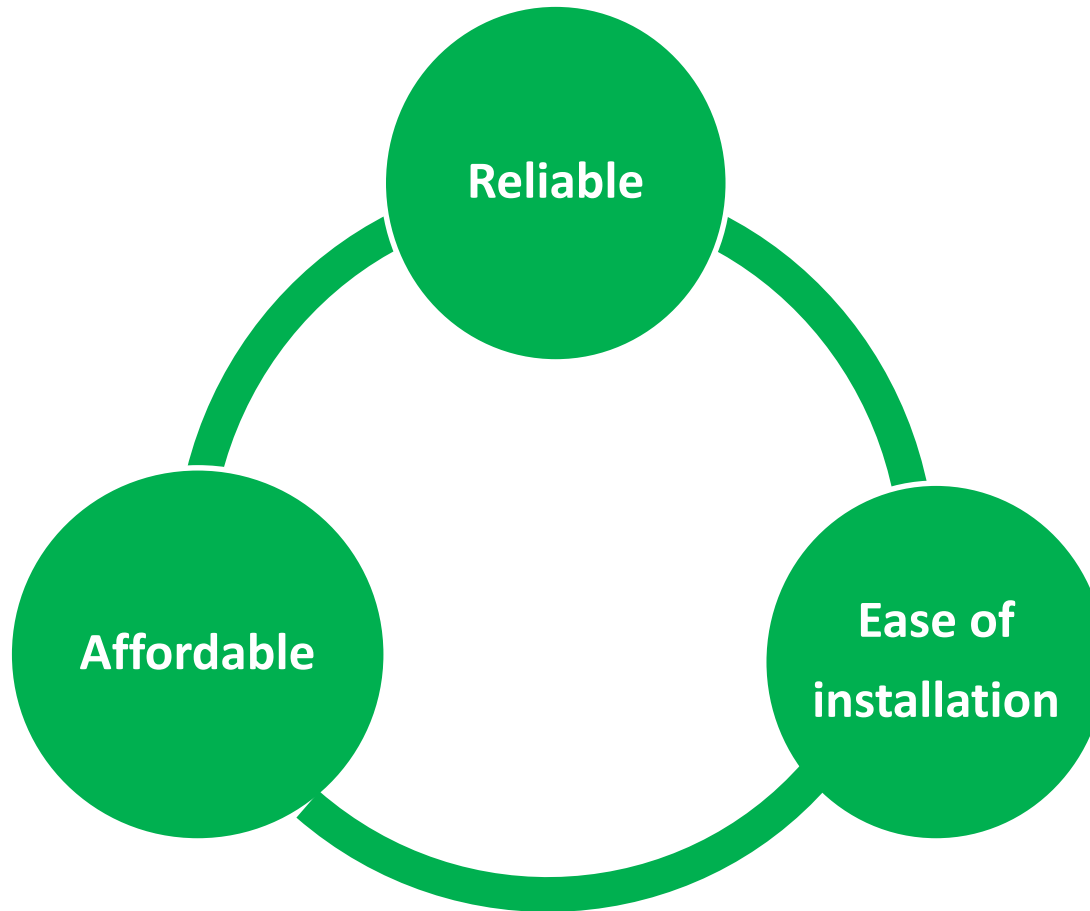
Sept , 2017

Contents

- Vista Glow
- Customer insight and Solution
- Product Specifications
- Product Applications
- Product Designation
- Product Ordering Data
- Marcom



VistaGlow : Customer Insights



All customers want a reliable lighting solution which is affordable & easy to install.

Philips Vista Glow is designed to address the above customer needs reliably and affordably.

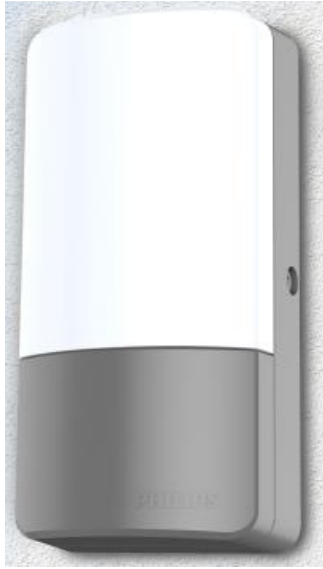
Vista Glow : LED bulk Head Luminaire

Long Life , Affordable , reliable and energy efficient



VistaGlow

Efficient lighting leads to a brighter future



- **Compact aesthetic Design** : Suitable for Decorative and Functional Applications
- **High energy-efficiency** : System efficacy of **105 lm/W**, 1:1 replacement for a 60w bulk head
- **High Color Rendering** : CRI of 80 for ensures true colors and comfortable light
- **IP65 & IK 08 protection** : Robust & Reliable solution offering 25K hours system life time
- **Integrated Design** : Plug and Play and easy to install

Features and Benefits



Reliable Savings, lasting brightness
High performance in a robust and compact design

Use with peace of mind

- Suitable for Surface mounting
- 700 Lumen @ 6.5 W
- IP 65 , IK 08
- Efficacy : 105 Lm/W
- CRI <80
- Point to point replacement for Conventional Bulkhead
- PF <>.9

Long-lasting performance

- Designed for energy savings of up to 55% compared with conventional lighting
- L70B50 25k hours*
- **Designed to sustain 70% of initial lumen output (L70) at 25,000 hours of lifetime*

High-quality materials and design

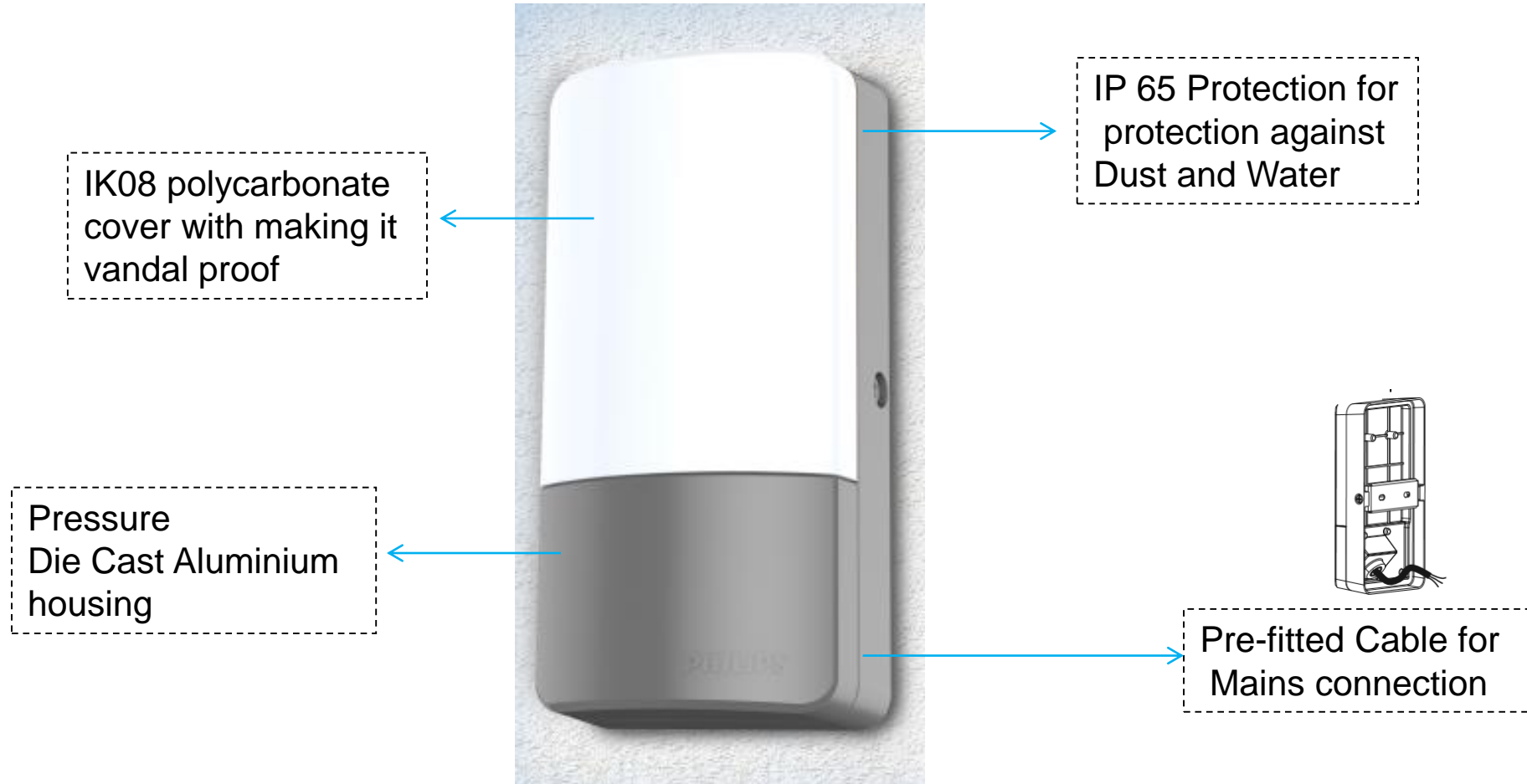
- Pressure Die Cast housing enhances safety
- High quality PMMA Diffuser

Wide selection

- Choice of color temperature –
Cool white (6500K), Neutral (4000K)

Vista Glow : LED bulk Head Luminaire

Vista Glow LED Bulkhead is built with high reliability components designed for long life in different application environments.



Parameter	WT 120C -700 Lumen
Lumen output	700 Lm
System wattage	6.5 W
Efficacy	105
CCT	4000K / 6500K
CRI	>80
Mounting	Wall/Surface
Housing	Pressure Die Cast Aluminum
IP Rating	IP 65
Control	Not Applicable
Luminaire compliance	Relevant LED IS standards
Life	L70B50 25k
Operating temperature	Upto 45 deg C
IK	08
PF	> 0.9
THD	< 20 %
Input voltage range	140V - 270V AC
SDCM	< 5
Diffuser	PC
Dimensions	190x95x55 mm
Serviceability	Class C – Non Replaceable Driver
Surge	2.5 KV

Product Applications



Ordering Data

12 NC	Product Description	Qty. per Box
9195 158 12243	WT140W LED7S CW PSU S1 PC	20 Nos.
9195 158 12244	WT140W LED7S NW PSU S1 PC	20 Nos.

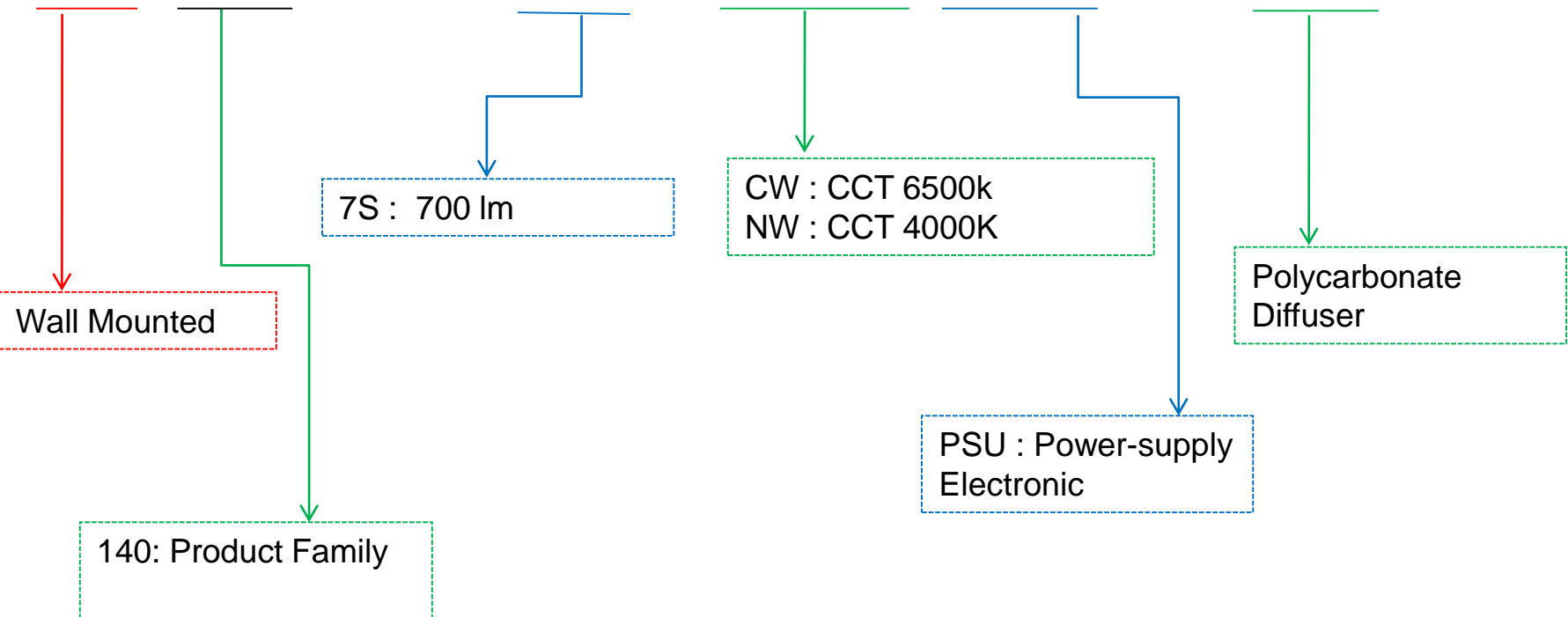
Application Areas



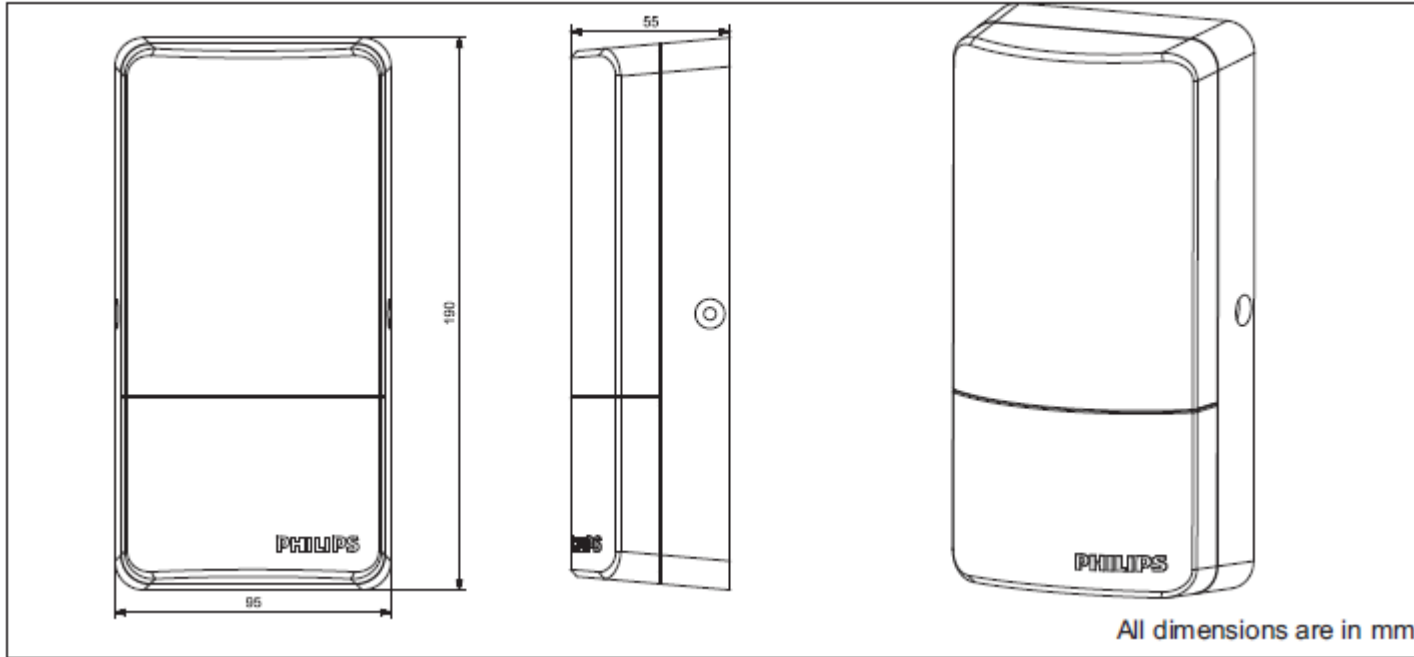


How to read the Cat ref

WT140W LED7S-CW PSU S1 PC



Dimensions



WT120W

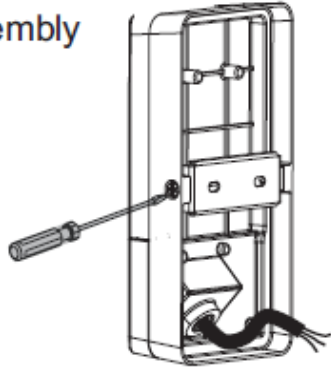
Bulkhead Luminaire

Type	:	WT120W
Light Source	:	LED's
Voltage	:	120-270V, 50 Hz
IP Classification	:	IP-65
Net Weight	:	0.4 kg
Application	:	

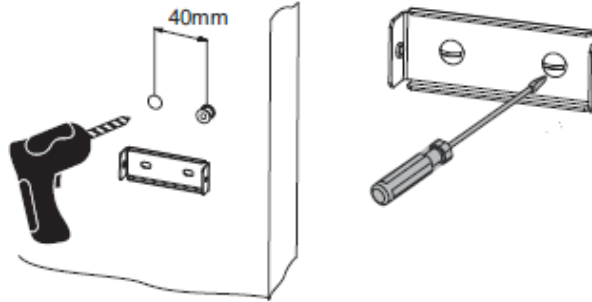
Mounting Instruction

Installation

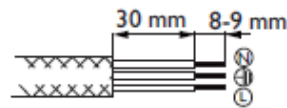
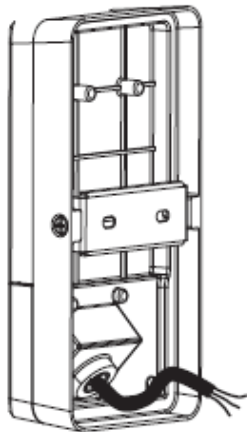
- 1 Remove luminaire from packing & remove mounting bracket from assembly



- 2 Drill 2 hole in wall & Mount Bracket to wall using wall plugs & screws provided.



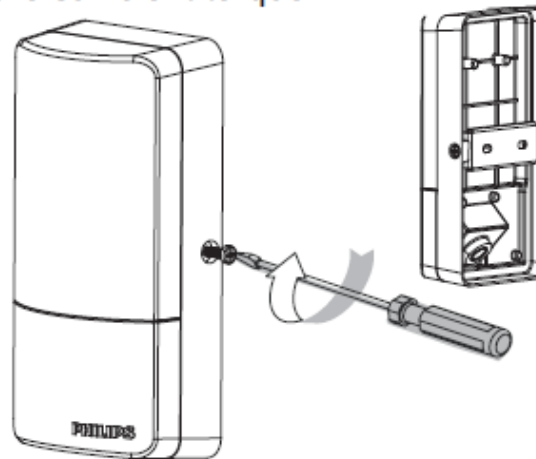
- 3 Connect the luminaire as per below description.



Red - Live
Gm/Yel - Earth
Black - Neutral

Note: Ensure to connect earthing wire

- 4 Fasten the screws on both side with the sufficient torque.



Mounting Instruction

Warning

1. The luminaire shall be installed by qualified electrician and wired in accordance with the latest IS electrical regulations or the national requirements.
2. Turn power off before inspection, maintenance, installation or removal.
3. Refer to technical datasheet for additional electrical properties to ensure safe installation
4. Luminaire installed must not be in contact with combustible materials.
5. Ensure power supply cables (L-N / L-N-E) are connected correctly before switching on.
6. The connection of power cable on luminaire is type Y. If the external flexible cable or cord of this luminaire is damaged, it shall be exclusively replaced by the manufacturer or his service agent or a similar qualified person in order to avoid hazard.
7. The light source of this luminaire is not replaceable, when the light source reaches its end of life the whole luminaire shall be replaced.

Maintenance

1. Periodic cleaning of the luminaire diffuser will ensure max. optical efficiency.
2. Luminaire Diffuser shall be cleaned with water and non-abrasive soap, cleaner or detergent solution.

Caution

1. The luminaire must be used within the applicable product specifications, installation instructions and environmental conditions for storage & operations according to application guidelines provided by Philips for product Warranty to be valid.
2. In case the diffuser is found broken/damaged it should not be powered on and luminaire should be replaced.

Annexures

Why Philips?



Developing our products to enhance yours



Quality of light

We can help you make your products look at their best and make your collection stand out



Customization

We can create just the right light flavor and luminaire design to match your brand

Why choose Philips?

A lighting service that fits your business needs

We listen and understand your needs:



Global presence
and local experience
delivering multi-tiered
support



World-class innovation
capabilities and deep
application and
system expertise



One-stop shop:
solutions and
services across
the lighting
value chain



Proven record of quality
and reliability – no
unpleasant surprises

